

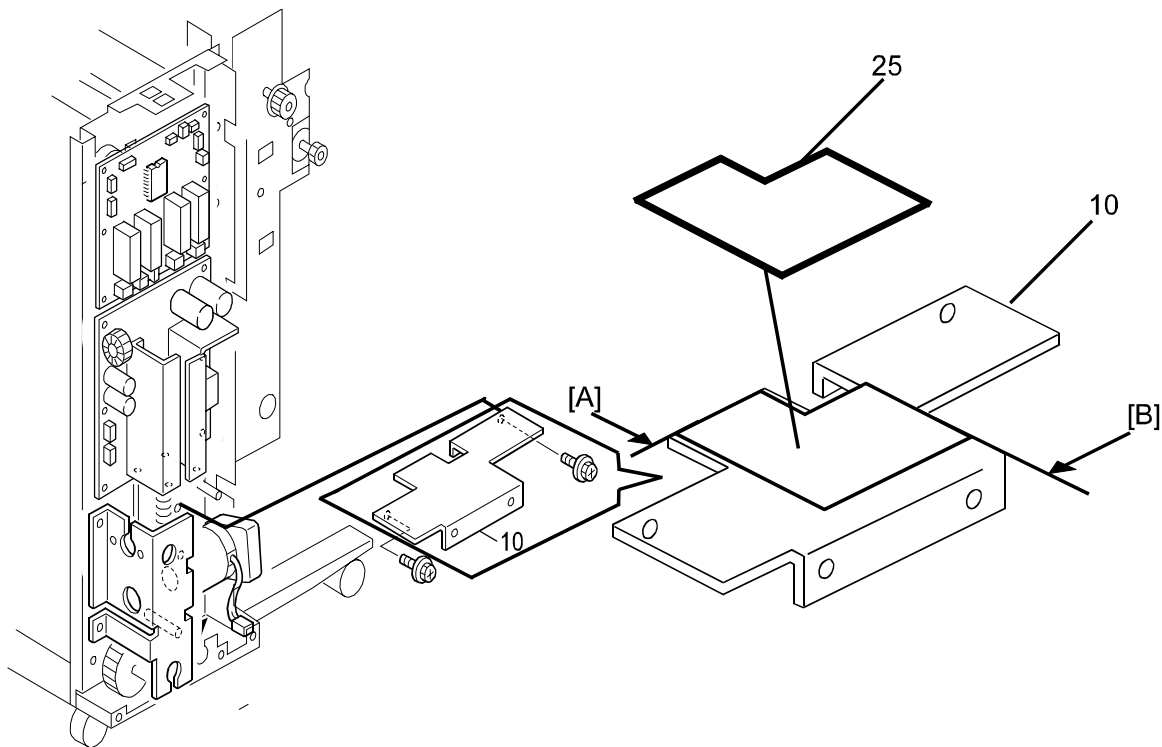
<b>Model:</b> PRIPORT LCS	<b>Date:</b> 16-Feb-04	<b>No:</b> M-C625-001
<b>Modified Article:</b> Insulated sheet for driver cover bracket	<b>Prepared by:</b>	
<b>From:</b> Priport Service Planning Section	K. Yamamoto	
<b>Classification:</b>	<input checked="" type="checkbox"/> Parts catalog correction <input type="checkbox"/> Vendor change <input type="checkbox"/> To meet standards <input type="checkbox"/> To facilitate assembly <input type="checkbox"/> To improve reliability    (    ) <input type="checkbox"/> Part standardization <input type="checkbox"/> Other (    )	
<b>Model Name:</b>		
Large Capacity System LS3000		

An insulating sheet has been added to provide insulation for the driver cover bracket and screws for the power supply unit fan.

Old part number	New part number	Description	Q'ty	Int	Page	Index
-	C6251137	Insulated sheet	1	-	23	*25

\* New Index number

**Note:** Attach the insulating sheet (#25) parallel to the two edges [A]/[B] of the driver cover bracket.



**Model:** PRIPORT LCS**Date:** 16-Feb-04**No:** M-C625-001**CUT IN SERIAL NUMBERS**

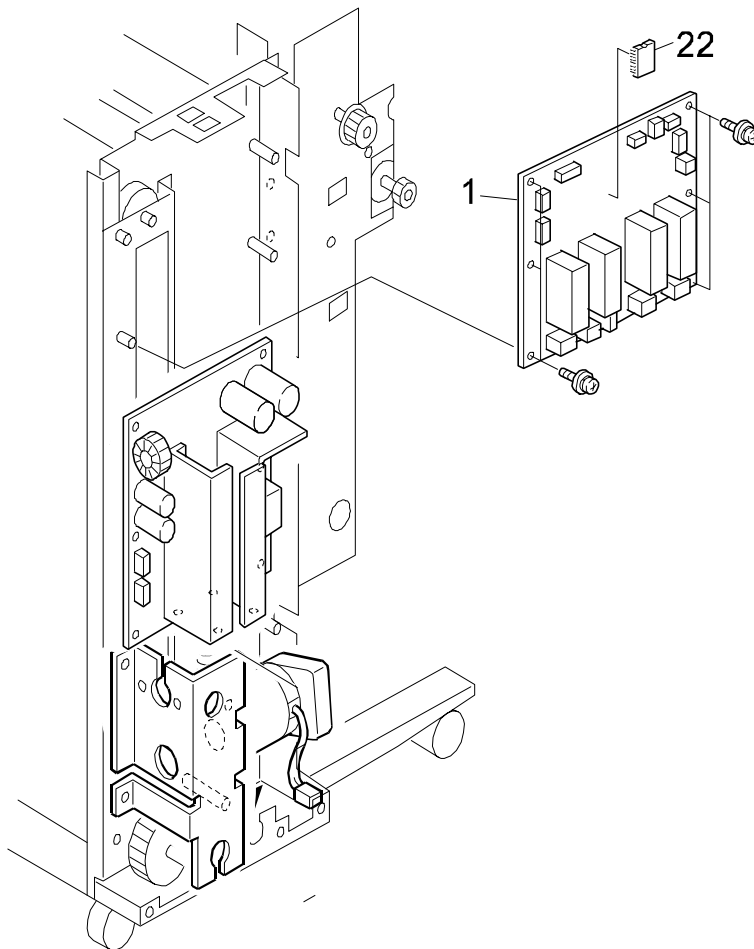
<b>Model Name</b>	<b>V/Hz</b>	<b>Destination</b>	<b>Code</b>	<b>Serial Number</b>
Large Capacity System LS3000	120/60	USA, Canada	C625-52	F5440200001~
Large Capacity System LS3000	230/60	Europe, etc	C625-53	F5440200001~

<b>Model:</b> PRIPORT LCS	<b>Date:</b> 4-Mar-04	<b>No:</b> M-C625-002
<b>Modified Article:</b> LCS firmware parts catalog correction	<b>Prepared by:</b>	
<b>From:</b> Priport Service Planning Section	K. Yamamoto	
<b>Classification:</b>	<input checked="" type="checkbox"/> Parts catalog correction <input type="checkbox"/> Vendor change <input type="checkbox"/> To meet standards <input type="checkbox"/> To facilitate assembly <input type="checkbox"/> To improve reliability    (    ) <input type="checkbox"/> Part standardization <input type="checkbox"/> Other (    )	
<b>Model Name:</b>		
Large Capacity System LS3000		

The LCIT firmware has been modified to ensure that paper 310mm to 344mm in length (not a machine-defined size) is fed correctly.

**Please refer RTB #RC625002 for details**

Old part number	New part number	Description	Q'ty	Int	Page	Index
C6255100	C6255102	Printed Circuit Board – LCIT	1	X/0	23	1
C6255123	C6255122	EPROM – LCIT	1	X/0	23	22



**Model:** PRIPORT LCS**Date:** 4-Mar-04**No:** M-C625-002**CUT IN SERIAL NUMBERS**

<b>Model Name</b>	<b>V/Hz</b>	<b>Destination</b>	<b>Code</b>	<b>Serial Number</b>
Large Capacity System LS3000	120/60	USA, Canada	C625-52	F5440200001~
Large Capacity System LS3000	230/60	Europe, etc	C625-53	F5440200001~

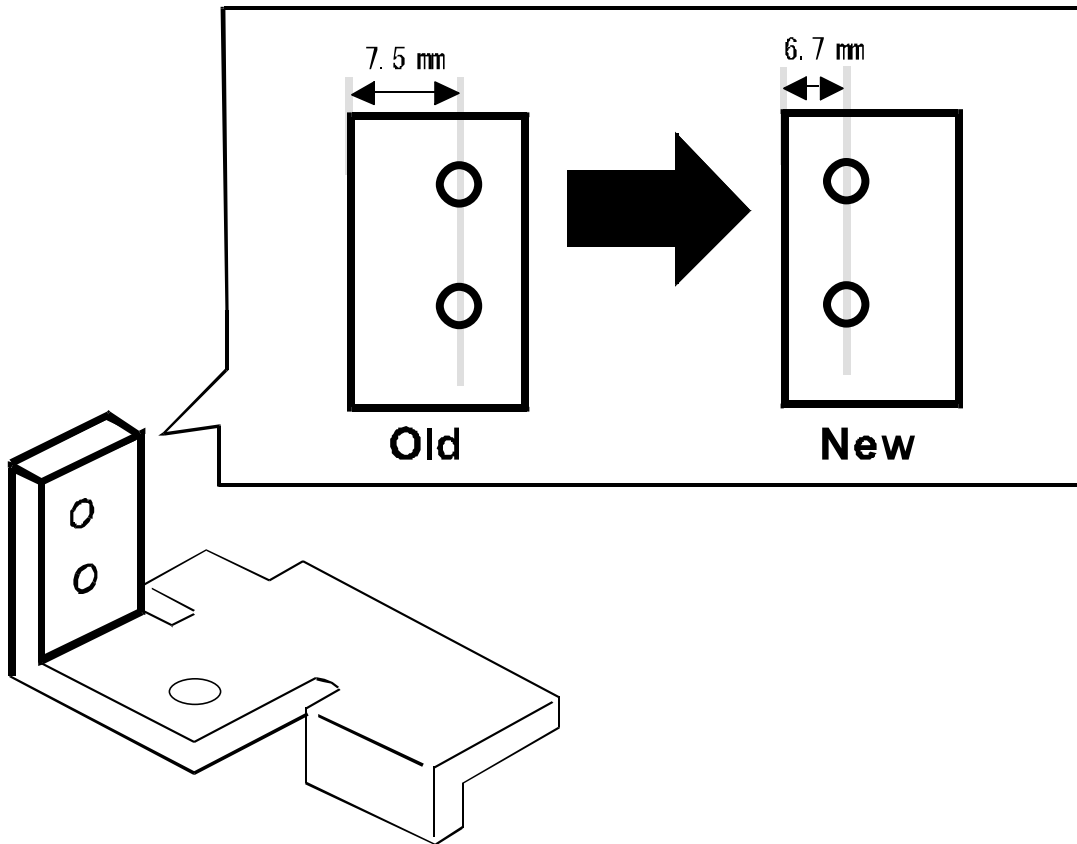
Reissued: 7-May-04

**MB Correction**

The items in bold italics have been corrected or added.

<b>Model:</b> PRIPORT LCS	<b>Date:</b> 22-Apr-04	<b>No:</b> M-C625-003a
<b>Modified Article:</b> The amount of insertion change	<b>Prepared by:</b>	
<b>From:</b> Priport Service Planning Section	K. Yamamoto	
<b>Classification:</b>	<input checked="" type="checkbox"/> Parts catalog correction <input type="checkbox"/> Vendor change <input type="checkbox"/> To meet standards <input type="checkbox"/> To facilitate assembly <input type="checkbox"/> To improve reliability    (    ) <input type="checkbox"/> Part standardization <input type="checkbox"/> Other (    )	
<b>Model Name:</b> Large Capacity System LS3000		

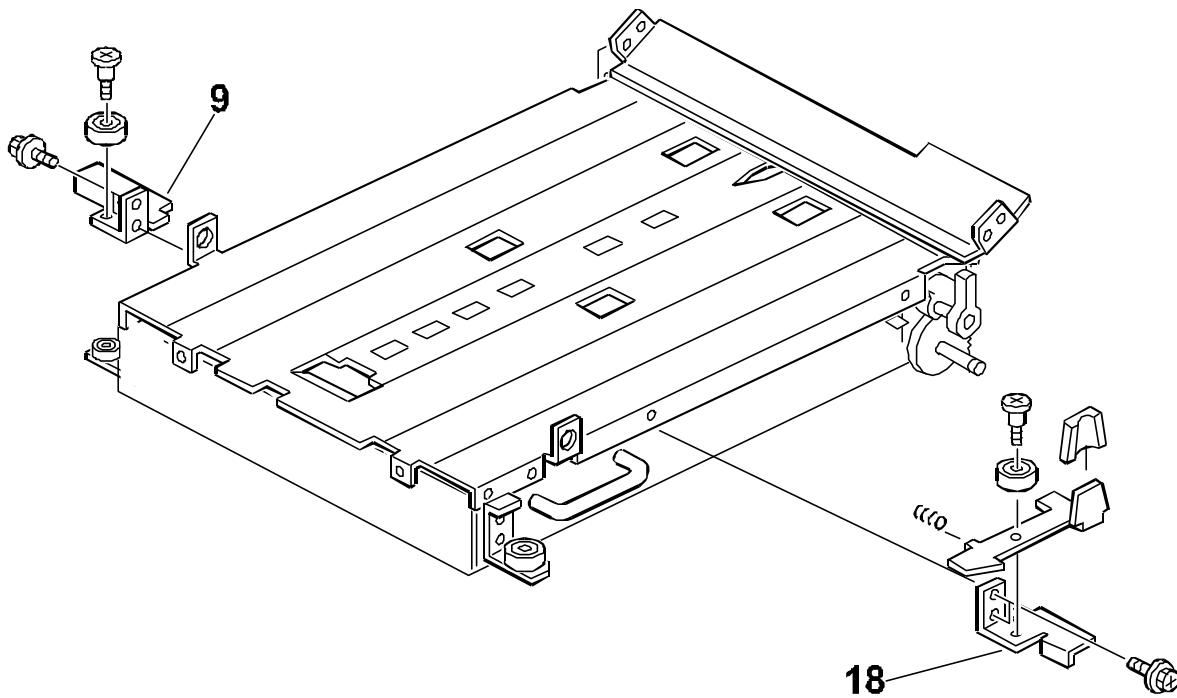
The positions of holes in the front and rear supporters have been changed to further ensure that the intermediate section is firmly inserted into the duplicator.



Reissued: 7-May-04

**Model:** PRIPORT LCS**Date:** 22-Apr-04**No:** M-C625-003a

Old part number	New part number	Description	Q'ty	Int	Page	Index
<b>C6253116</b>	<b>C6253117</b>	Back supporter	1	X/0	5	9
<b>C6253114</b>	<b>C6253115</b>	Front supporter	1	X/0	5	18



Reissued: 7-May-04

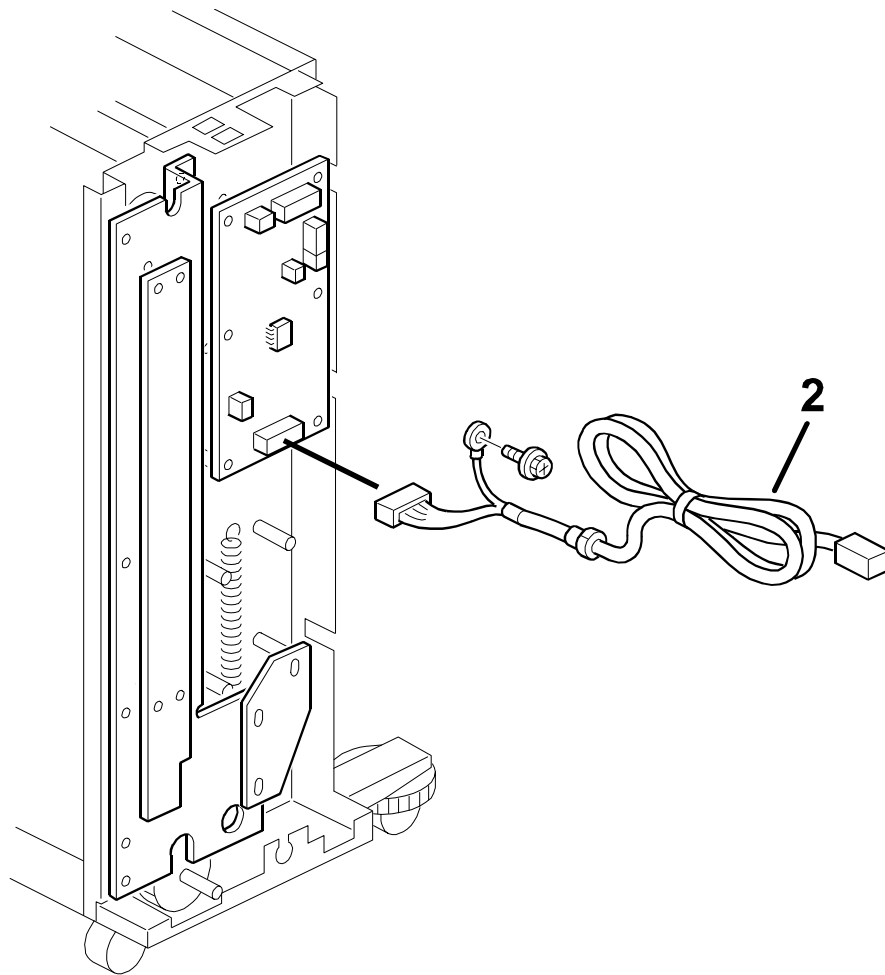
**Model:** PRIPORT LCS**Date:** 22-Apr-04**No:** M-C625-003a**CUT IN SERIAL NUMBERS**

<b>Model Name</b>	<b>V/Hz</b>	<b>Destination</b>	<b>Code</b>	<b>Serial Number</b>
Large Capacity System LS3000	120/60	USA, Canada	C625-52	F5440400001~
Large Capacity System LS3000	230/60	Europe, etc	C625-53	F5440400001~

<b>Model:</b> PRIPORT LCS		<b>Date:</b> 22-Apr-04	<b>No:</b> M-C625-004
<b>Modified Article:</b> Parts number change for interface cable		<b>Prepared by:</b>	
<b>From:</b> Priport Service Planning Section		K. Yamamoto	
<b>Classification:</b>	<input checked="" type="checkbox"/> Parts catalog correction	<input type="checkbox"/> Vendor change	<input type="checkbox"/> To meet standards
	<input type="checkbox"/> To facilitate assembly	<input type="checkbox"/> To improve reliability	( )
	<input type="checkbox"/> Part standardization	<input type="checkbox"/> Other ( )	
<b>Model Name:</b> Large Capacity System LS3000			

The I/F cable harness has been changed to support software control connection between the LCOT and future mainframe duplicators.

Old part number	New part number	Description	Q'ty	Int	Page	Index
C6255255	C6255254	Interface Cable Harness	1	0/0	33	2





**Model:** PRIPORT LCS**Date:** 22-Apr-04**No:** M-C625-004**CUT IN SERIAL NUMBERS**

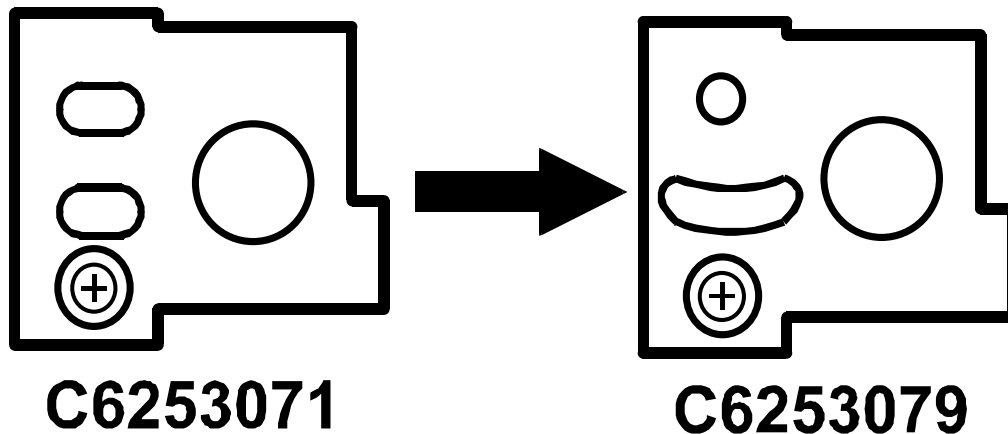
<b>Model Name</b>	<b>V/Hz</b>	<b>Destination</b>	<b>Code</b>	<b>Serial Number</b>
Large Capacity System LS3000	120/60	USA, Canada	C625-52	F5440400001~
Large Capacity System LS3000	230/60	Europe, etc	C625-53	F5440400001~

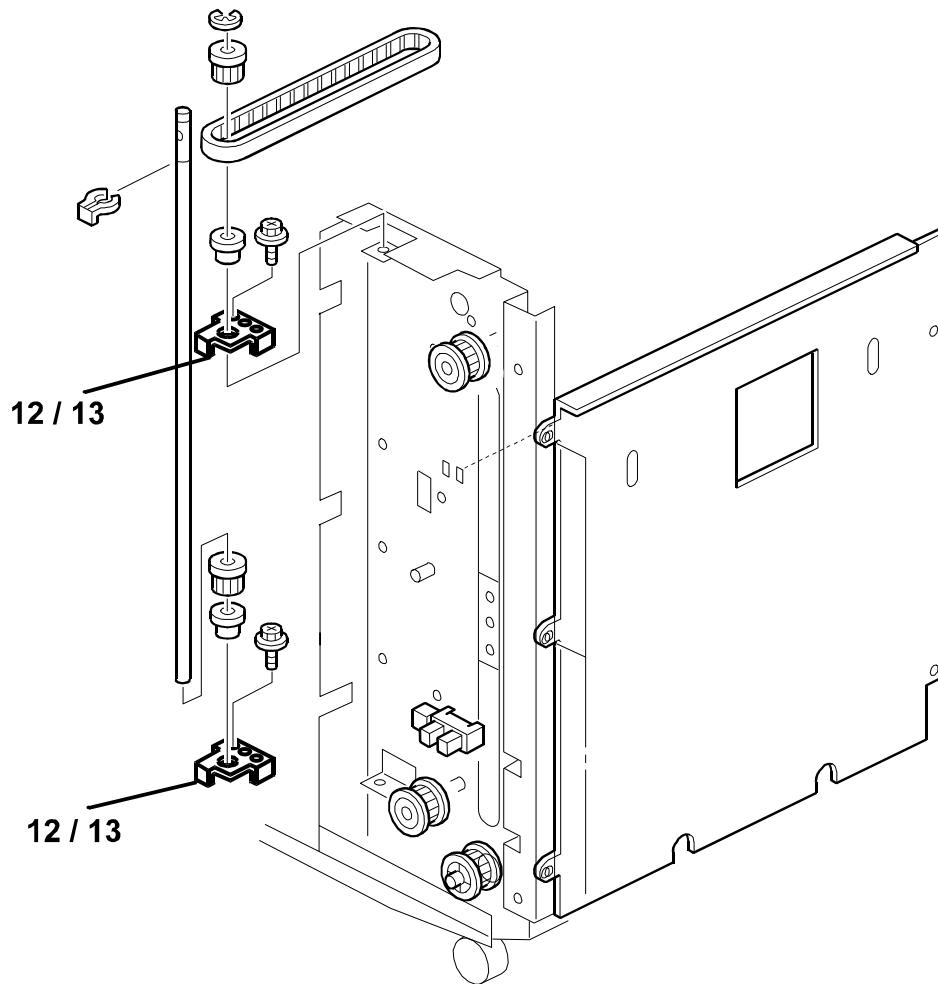
<b>Model:</b> PRIPORT LCS	<b>Date:</b> 22-Apr-04	<b>No:</b> M-C625-005
<b>Modified Article:</b> Side fence drive bracket - part number	<b>Prepared by:</b>	
<b>From:</b> Priport Service Planning Section	K. Yamamoto	
<b>Classification:</b>	<input checked="" type="checkbox"/> Parts catalog correction <input type="checkbox"/> Vendor change <input type="checkbox"/> To meet standards <input type="checkbox"/> To facilitate assembly <input type="checkbox"/> To improve reliability    (    ) <input type="checkbox"/> Part standardization <input type="checkbox"/> Other (    )	
<b>Model Name:</b> Large Capacity System LS3000		

**Note: The following has been applied from February 2004 production.**

The shape of the side fence drive bracket has been changed as shown below to facilitate assembly of the tension belt and further ensure the belt is firmly attached. Please refer to RTB # RC625003 for the adjustment procedure for this part.

Old part number	New part number	Description	Q'ty	Int	Page	Index
C6253071	C6253079	Side fence drive bracket	2	X / X	21 / 37	12 / 13





**Note:** The drive brackets labeled as indices 12 (LCIT) and 13 (LCOT) are the same part.

**Model:** PRIPORT LCS**Date:** 22-Apr-04**No:** M-C625-005**CUT IN SERIAL NUMBERS**

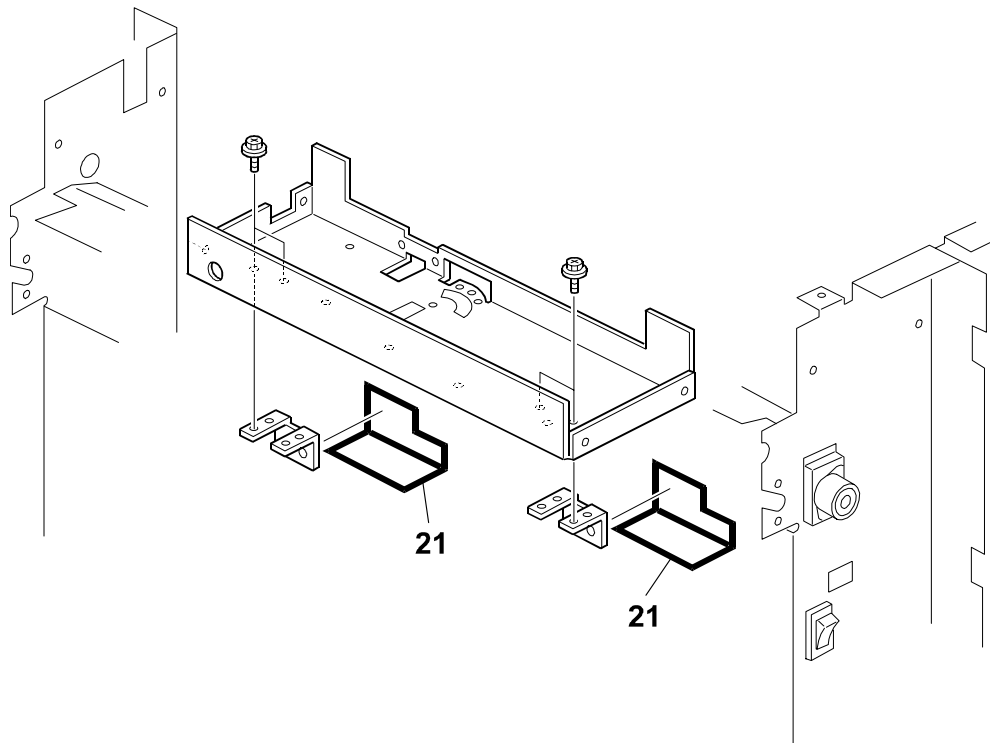
<b>Model Name</b>	<b>V/Hz</b>	<b>Destination</b>	<b>Code</b>	<b>Serial Number</b>
Large Capacity System LS3000	120/60	USA, Canada	C625-52	F5440200001~
Large Capacity System LS3000	230/60	Europe, etc	C625-53	F5440200001~

<b>Model:</b> PRIPORT LCS		<b>Date:</b> 9-Jun-04	<b>No:</b> M-C625-006
<b>Modified Article:</b> Parts catalog correction for guide board sheet		<b>Prepared by:</b>	
<b>From:</b> Priport Service Planning Section		K. Yamamoto	
<b>Classification:</b> <input checked="" type="checkbox"/> Parts catalog correction <input type="checkbox"/> Vendor change <input type="checkbox"/> To meet standards <input type="checkbox"/> To facilitate assembly <input type="checkbox"/> To improve reliability                 ( ) <input type="checkbox"/> Part standardization <input type="checkbox"/> Other ( )			
<b>Model Name:</b>			
Large Capacity System LS3000			

The shape of the guide board sheet has been changed to improve the paper feed of sheets that are already curled (a non-recommended condition) and are stacked near paper feed table capacity.

**Note:** Please refer to RTB #RC625004 for details.

Old part number	New part number	Description	Q'ty	Int	Page	Index
C6252920	C6252921	Guide Board Sheet	2	X/0	15	21



**Model:** PRIPORT LCS**Date:** 9-Jun-04**No:** M-C625-006**CUT IN SERIAL NUMBERS**

<b>Model Name</b>	<b>V/Hz</b>	<b>Destination</b>	<b>Code</b>	<b>Serial Number</b>
Large Capacity System LS3000	120/60	USA, Canada	C625-52	F5440600001~
Large Capacity System LS3000	230/60	Europe, etc	C625-53	F5440600001~